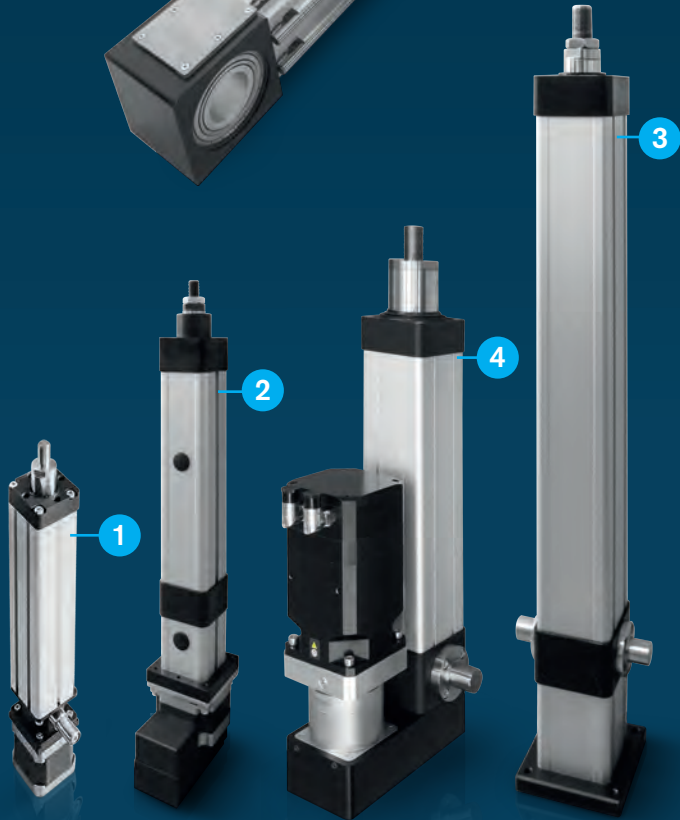


# EMBEDDING MECHATRONICS vs. ROBOTICS LIFE



# L-Actuators

Linear axes with belt or ball screw transmission, combinable with other **AW products** for infinite possibility configurations.



# SM-Actuators

A wide range of Linear axes and actuators from the smallest sizes to the highest thrust performance



Slides and rotary tables for fast **Pick & Place** applications with high reliability of operation over time.

# E-Actuators

## Electric Actuators

Size from 16mm to 200mm with different load capacities:

1. **Mech Value** 16, 25 o 32 mm. Load up to 1700 N
2. **Mech Line** 32, 50 o 63 mm. Load up to 14.6 kN
3. **Mech Force** 50, 63, 80,100, 125 o 150 mm. Load up to 190 kN
4. **Mech Plus** Compact version for load up to 213 kN

All **E-Actuators** are **ISO 15552** compatible

# T-Actuators

## Modular Robotic Solution

High torque density rotary actuator ideal for rotary tables and many other modular robotic applications.



# X-Actuators

New **Extreme** version for dynamic loads up to **750kN**.

Ideal for the most extreme applications where high thrust and/or long operation is required (e.g. *press-type operation or plastic blowing systems*).



**750kN**



# AW-Drives & AW-Motors

Technologically advanced servo drives and servomotors. Flexible and versatile solutions for every application.

# J-Actuators

## Modular Robotic Solution

Series of joints for the construction of collaborative robots (*Cobots*) or high performance rotary actuators.

Can be used to produce modular robotic solutions according to the application.

Controlled directly by **ROS** thanks to the **RoboVu™** application, which allows real-time connection of applications such as **MoveIt** to the **EtherCAT** fieldbus.

**5 sizes J17, J20, J25, J32 e J40** and a wide range of performances, to get the right combination according to application characteristics.

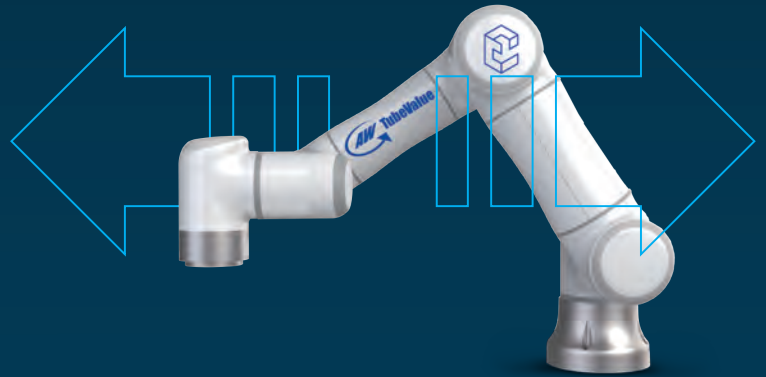
# 5

The loads applied to the robotics joint can reach up to 800 Nm



# AW-Tube Value

Safe, easy to use, flexible and efficient.  
Six-axis collaborative cobots



Transport, assembly and disassembly, easy to lift by hand, 220V to 48V power supply.

Light cabinet for mobility applications as Cartesian axis or to be installed on **AutomationWare AGV** series.

# AW-Grippers

A complete range of products accurately covers the scenes of high-end precision production



# AW-Robot Mobile

Modularity and Mobility without ballast

Mobile robots of the **AW-Mobile** series are a safe and flexible solution for optimising production processes and internal logistics.



**ROS**

ROS is a trademark of Open Robotics.

**AW AutomationWare™**  
brought to you by **IKO**



IKO

91 Walsh Dr,  
Parsippany, NJ 07054

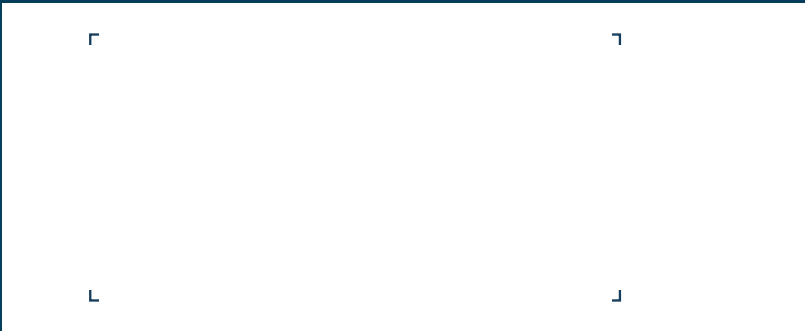
Telephone 862-895-6280  
Email [ikoaw\\_usa@ikonet.co.jp](mailto:ikoaw_usa@ikonet.co.jp)  
Website [www.automationwareusa.com](http://www.automationwareusa.com)



Join the community



© 2023 by AutomationWare – all rights reserved. This brochure contains indicative parameters. AutomationWare reserves the right to modify any specification at any time. For a more detailed consultation we recommend the use of the technical datasheet and/or to visit our website [www.automationware.it](http://www.automationware.it).



All the material contained in this website is the property of AutomationWare and/or of the quoted companies; to it the Italian and European laws in matter of Copywrite are enforceable; any text taken from other sources is also protected by the Copywrite and Property rights of the respective Trademarks. All information and contents (*texts, graphics and images*) reported in this catalogue are, to the best of our knowledge, public property; if material subject to Copywrite or in infringement of the law has unintentionally been published, please inform us and we'll immediately remove it. All the trademarks shown belong to their legal owners; third party trademarks, product names, commercial names, corporate names, and companies quoted could be proprietary trademarks of their legal owners or registered trademarks of other companies and have been use for explanatory purposes only and for the benefit of the owners, without any intention of infringing the current Copywrite laws.